

### ⚡ Specifications

#### Nominal Voltage(V)

12V

#### Nominal Capacity

10 hour rate	(6.5A	to	10.80V)	65Ah
5 hour rate	(11.05A	to	10.20V)	55.25Ah
1 hour rate	(39A	to	9.60V)	39Ah
1C	(65A	to	9.60V)	41.17Ah

#### Weight

Approx. 21.5kg(47.3Lbs.)

#### Internal Resistance (at 1KHz)

Approx. 7.5 mΩ

#### Maximum Discharge Current for

5 seconds:780A

#### Charging Methods at 25°C(77°F)

Cycle use:

Charging Voltage 14.4 to 15.0V

Coefficient -5.0mV/°C/cell

Maximum Charging Current : 19.5A

Standby use:

Float Charging Voltage 13.5 to 13.8V

Coefficient -3.0mV/°C/cell

#### Operating Temperature Range

Charge -15°C(5°F) to 40°C(104°F)

Discharge -15°C(5°F) to 50°C(122°F)

Storage -15°C(5°F) to 40°C(104°F)

#### Charge Retention (shelf life) at 20°C(68°F)

1 month 98%

3 month 94%

6 month 85%

#### Case Material

ABS UL94 HB

Option: Flammability resistance of (UL94 V-0)

#### Design Life

12 Years.

#### Terminal

F8



### ⚡ Dimensions

#### Length (L)

260+2-1 (10.24+0.08-0.04)

#### Width (W)

170+2-1 (6.69+0.08-0.04)

#### Height (H)

202+2-1 (7.95+0.08-0.04)

#### Overall Height (HT)

207+2-1 (8.15+0.08-0.04)

#### Description of torque value of hard ware for the terminals:

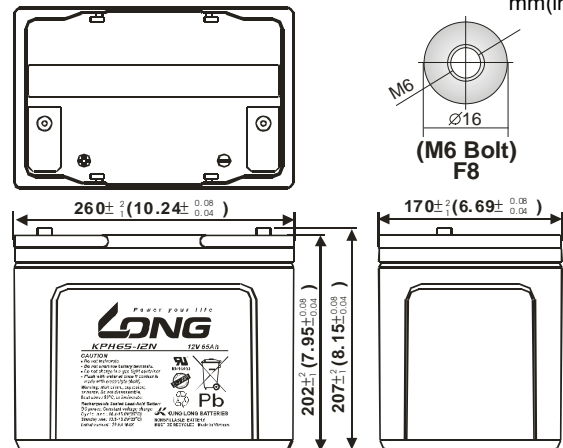
Recommended torque value

M6:7 N-m (71kgf-cm)

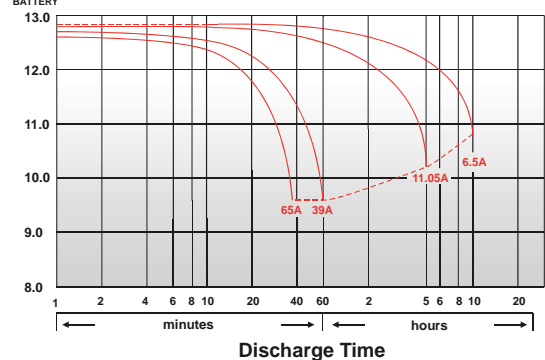
Maximum allowable torque value

M6:9 N-m (92kgf-cm)

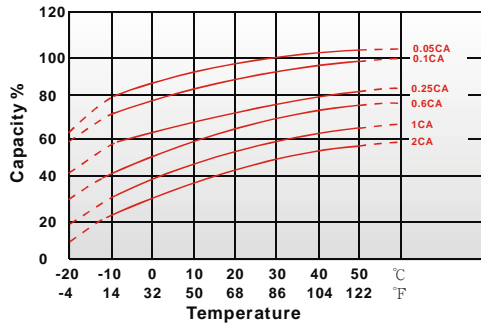
mm(inch)



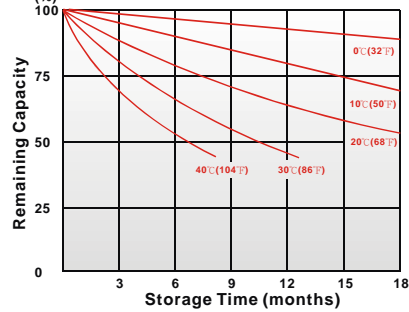
(V) FOR 12V BATTERY Discharge Time VS. Discharge Current (25°C)



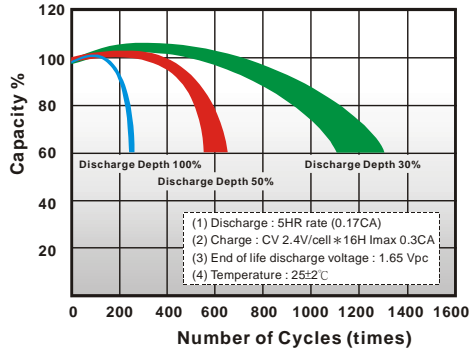
Effect of Temperature on Capacity 25°C(77°F)



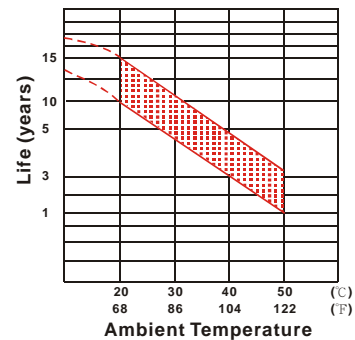
Capacity Retention Characteristic



Cycle Service Life



Trickle (or float) Service Life



**- PERFORMANCE DATA**

Discharge Rates in Watts to Various End Voltages at 25°C(77°F)

End Voltage		1.85V	1.80V	1.75V	1.70V	1.67V	1.65V	1.60V
Time	min	235	288	315	341	351	362	382
5	min	185	210	228	243	250	257	268
10	min	138	162	175	187	191	196	203
15	min	93.2	105	112	118	121	124	127
30	min	77.8	80.7	81.8	82.7	83.2	83.8	84.7
60	min	47.5	49.3	50.5	51.3	51.8	52.3	52.8
120	min	32.8	34.7	35.8	36.5	36.8	37.2	37.7
180	min	26.8	27.8	28.7	29.3	29.5	29.8	30.2
240	min	23.2	23.5	23.8	24.2	24.3	24.5	24.7
300	min	13.0	13.3	13.5	13.6	13.7	13.7	13.8
600	min	7.02	7.13	7.23	7.32	7.35	7.40	7.45
1200	min							

**- Discharge Rates in Amperes to Various End Voltages at 25°C(77°F)**

End Voltage		1.85V	1.80V	1.75V	1.70V	1.67V	1.65V	1.60V
Time	min	132	173	195	221	228	236	248
5	min	84.5	108	127	143	148	155	164
10	min	74.2	89.6	97.3	105	108	112	117
15	min	47.4	52.8	56.8	62.5	63.9	66.0	68.2
30	min	33.1	37.9	40.3	41.7	42.2	42.8	43.5
60	min	19.4	22.2	24.1	25.3	25.7	26.2	26.9
120	min	14.7	15.8	17.0	17.9	18.2	18.6	19.1
180	min	13.2	13.7	14.1	14.4	14.5	14.7	14.9
240	min	11.2	11.5	11.7	11.9	12.0	12.1	12.2
300	min	6.32	6.47	6.59	6.68	6.71	6.75	6.80
600	min	3.41	3.46	3.53	3.58	3.60	3.62	3.65
1200	min							

All data on the spec. sheet is an average value:

The tolerance range : X<6min(+15%~-15%), 6min ≤ X<10min(+12%~-12%), 10min ≤ X<60min(+8%~-8%), X ≥ 60min(+5%~-5%)